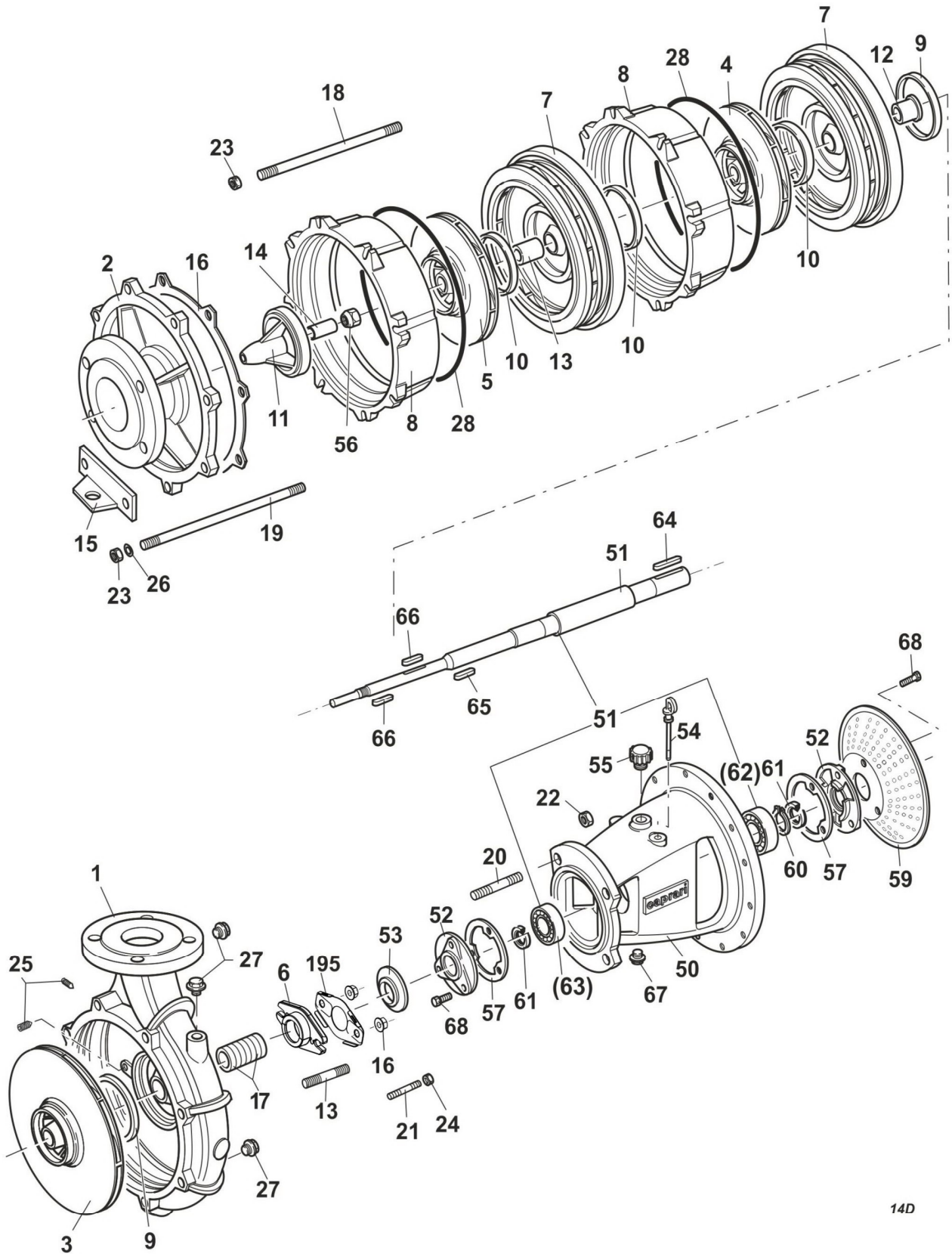


CAPRARI S.p.A

41123 MODENA (ITALY) - VIA EMILIA OVEST, 900
Tel. +39 059897611 - Fax +39 059 897897
email: info@caprari.it - www.caprari.com



Stückliste

Pos.	Code	Serien N °	Beschreibung	Menge
1	400084	MEC80/330-1	DRUCKAUSGANG	1 ST
2	400395	MEC80/330-3	DECKEL	1 ST
3	401073	MEC80MG-4/330-5A	LAUFRAD D.334	1 ST
4	401074	MEC80MG-4/260-5A	LAUFRAD D.264	1 ST
5	401074	MEC80MG-4/260-5A	LAUFRAD D.264	1 ST
6	411312	P51-8	STOPFBUCHSE	2 ST
7	430389	MECM80-73	VERTEILER	2 ST
8	430392	MECM80-74	STUFENGEHÄUSE	2 ST
9	440538	MEC80/200-165A	SCHLEIßRING	2 ST
10	440538	MEC80/200-165A	SCHLEIßRING	3 ST
11	420153	MEC80/260-1029	LAGERBUCHSE	1 ST
14	330014	MEC80/260-13	LAGERBUCHSE	1 ST
12	410721	MECM80-10	HÜLSE	1 ST
13	410721	MECM80-10	HÜLSE	1 ST
15	450404	MECM80-207	STANDFUß	1 ST
16	330737	MEC125/330-141	DECKEL	2 ST
17	330347	MEC80/260/B-33	DICHTUNG TYPE:GF7700	7 ST
18	300572	PS01099	SPEZIALSTIFT M14X220 (TO DRAW)	8 ST
19	300575	PS01100	SPEZIALSTIFT M14X230 (TO DRAW)	2 ST
20	300367	PN0722	STIFT M16(6G/6G)X35 UNI5909/DIN938-5.8	4 ST
21	300394	PN02007	STIFT M10(6G/6G)X50 UNI5909/DIN938	2 ST
22	310031	DN0724	MUTTER M16 UNI5588/DIN934-6S	4 ST
23	310028	DN0734	MUTTER M14 UNI5588/DIN934-6S	10 ST
24	310219	DN0037495	MUTTER M10 UNI EN20898/2/DIN6923-A2	2 ST
25	300745	GC0735	DÜBEL M10X12 UNI5923/DIN913-12.9	2 ST
26	310321	RLS0250	DICHTUNGSRING 15X31X3	2 ST
27	310714	TF01304	STOPFEN 3/8"GAS CONICAL (AFL N.290/292)	3 ST
28	330466	OR01000	O-RINGDICHTUNG 329,79X3,53 OR41300 (AP)	2 ST
50	420305	MECMG80-32	HALTEWINKEL	1 ST
51	411270	MEC80MG-B/3-1007	PUMPENWELLE + CSN L.707	1 ST
60	310554	AE0350	SICHERUNGSRING 35 UNI7435 FOR SHAFT	1 ST
62	350113	CSN0943	LAGER 3307/C3	1 ST
63	350127	CSN02222	LAGER NJ307E	1 ST
52	410672	MEC3A-9	LAGERDECKEL	2 ST
53	310836	MEC80/260-18	VERTEILER	1 ST
54	310828	MECMG-26	ÖLMEßSTAB L=178	1 ST
55	310743	MEC1A-28	ÖLFILTERVERSCHLUß	1 ST
56	330133	DS02310	MUTTER, OHNE DIN M24X2X21 UNI7474 (TO DRAW)	1 ST
57	330825	MEC3A-146	FLANSCH	2 ST
59	460364	MECMG80/100-240	PTO WELLENSCHUTZ	1 ST
61	330259	AT01785	DICHTUNGSRING 35x52x7	2 ST
64	310979	LCH02549	FEDER A10X8X70 UNI6604-C50 (TO DRAW)	1 ST
65	310980	LCH02550	FEDER A8X7X35 (TOL.UNI6604)-C50 (TO DRAW)	1 ST
66	310980	LCH02550	FEDER A8X7X35 (TOL.UNI6604)-C50 (TO DRAW)	2 ST
67	310714	TF01304	STOPFEN 3/8"GAS CONICAL (AFL N.290/292)	1 ST
68	300055	VTE0116	SCHRAUBE M8X20 UNI5739/DIN933-8.8	6 ST
71	300206	VTT02591	SCHRAUBE M6X10 UNI5931/DIN912-8.8	2 ST